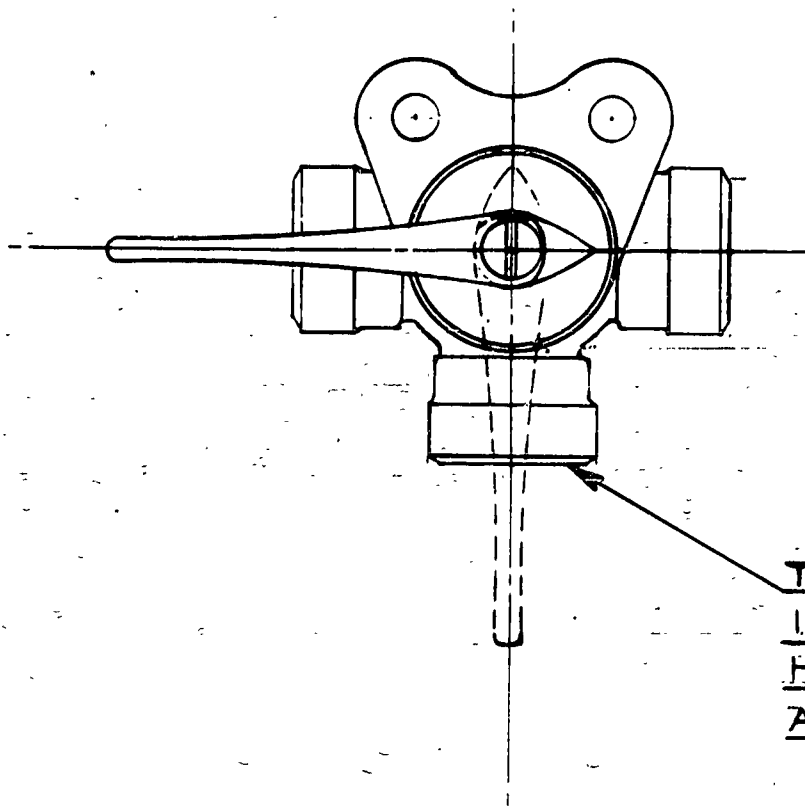


B



THIS OUTLET OPEN WHEN HANDLE IS IN THE TWO POSITIONS SHOWN. HANDLE AND SHAFT TO BE KEYED ACCORDINGLY

VALVE #108-HD-1/4 IPT, PURCHASED IMPERIAL BRASS CO.

11383 ASSY. SHOWN

11383-2 ASSY. WITH HANDLE OMITTED

THIS DRAWING IS THE PROPERTY OF THE PIPER AIRCRAFT CORP. AND ITS POSSESSION BY UNAUTHORIZED PERSONS SHALL NOT BE CONSTRUED AS PERMISSION TO REPRODUCE FOR SALE, IN WHOLE OR IN PART, ANY DEVICES SHOWN THEREON.							PART No.		No. REQ.		MATERIAL					
							SCALE FULL SIZE		TOTAL WT.-LBS.							
							FINISH-PIPER SPECIFICATION #10		MANUFACTURING PRACTICES-PIPER SPECIFICATION #9							
							VALVE ASSEMBLY - FUEL									
C - 2 ADDED		10-19-50		HRK		MODEL	PER PLANE	NEXT ASSEMBLY	SUPERSEDES	SUP. BY						
B RED TIP REMOVED		3-21-50		RZ		<b>PIPER AIRCRAFT CORP.</b> LOCK HAVEN, PENNA.					R. T. M.		L. E. K.		<b>11383</b>	
A OPEN WAS CLOSED; RED TIP ADDED		5-10-48		J.C.B.							8-20-47		8-21-47			
LET.	REVISION	DATE.	BY			DRAFTSMAN		CHECKER		STANDARDS						

PENCILTEX A. & B. SMITH CO., PHN., PA.

67

A 67