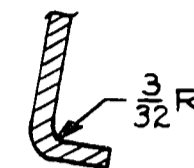
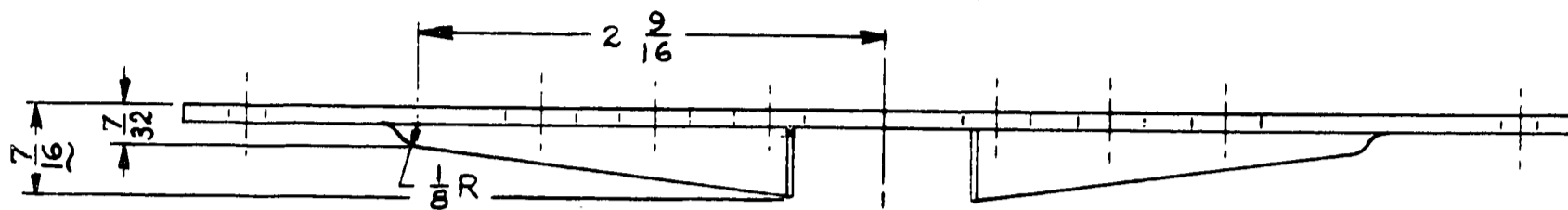
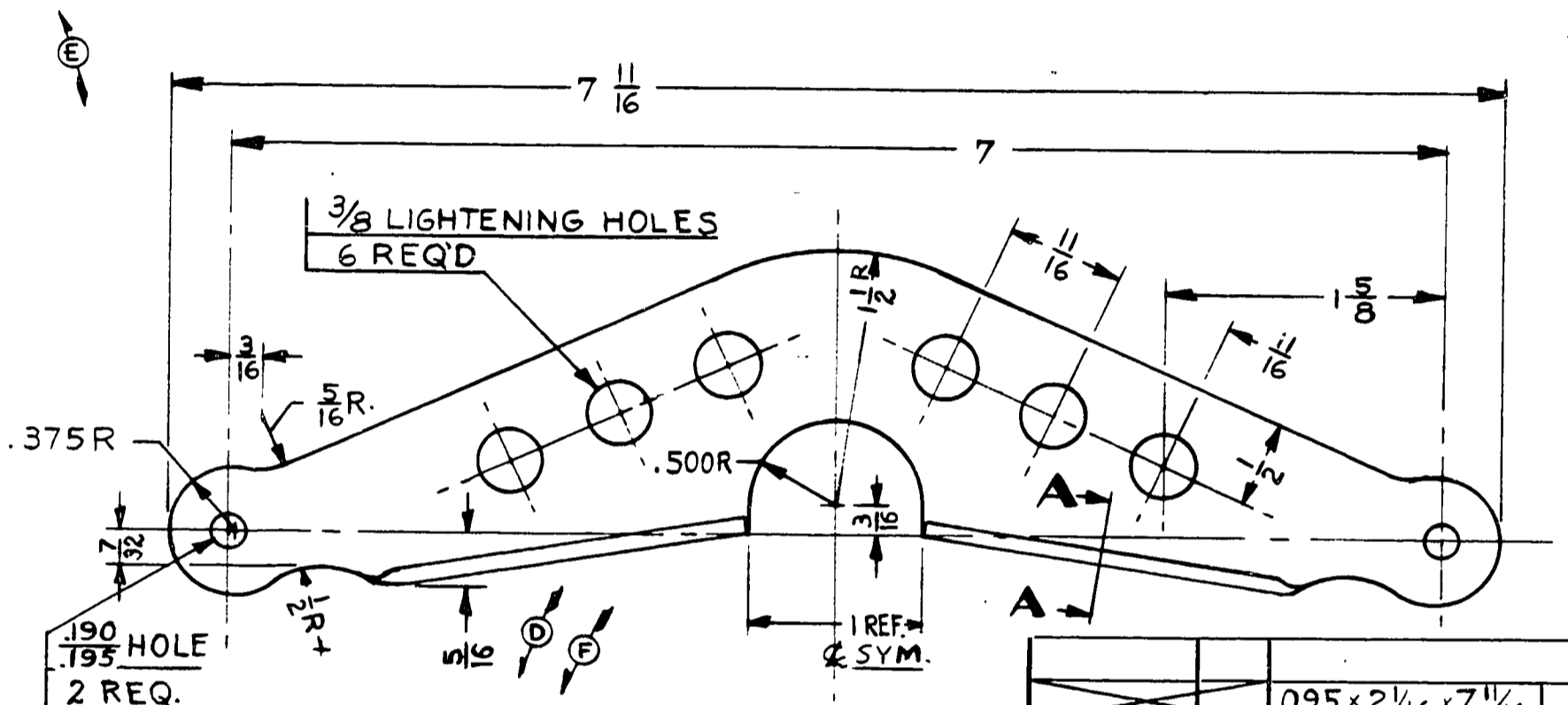


WAS E 2 - 515  
D 423 - A



SECTION A-A



| MODEL | PER PLANE | NEXT ASSEMBLY | SUPERSEDES | SUP. BY |
|-------|-----------|---------------|------------|---------|
| L-14  | 1         | 80808         |            |         |
| HE-1  | 1         | 40622         |            |         |
| 18D   | 1         | 40622         |            |         |
| USJSC | 1         | 40622         |            |         |
| 44148 | 1         | 41313         |            |         |
| 3768  | 1         | 41313         |            |         |

| LET | REVISION               | DATE     | BY     |
|-----|------------------------|----------|--------|
| G   | REDRAWN WITHOUT CHANGE | 6-19-51  | C.K.   |
| F   | L-14 MODEL REF. ADDED  | 6-14-45  | R.D.R. |
| E   | 7/16 DIM. WAS 1/2      | 12-13-44 | E.L.N. |
| D   | HE-1 MODEL REF. ADDED  | 9-3-43   | L.R.   |
| C   | REDRAWN & REVISED      | 7-14-43  | R.R.F. |

THIS DRAWING IS THE PROPERTY OF THE PIPER AIRCRAFT CORP. AND ITS POSSESSION BY UNAUTHORIZED PERSONS SHALL NOT BE CONSTRUED AS PERMISSION TO REPRODUCE FOR SALE IN WHOLE OR IN PART ANY DEVICES SHOWN THEREON.

**PIPER AIRCRAFT CORP.**  
 LOCK HAVEN, PENNA.

|   |          |                        |             |
|---|----------|------------------------|-------------|
|   |          | .095 x 2 1/16 x 7 1/16 | *1025 STEEL |
| PART NO.  | NO. REQ. | SIZE                   | DESCRIPTION |
|   |          |                        | MATERIAL    |
| SCALE FULL SIZE                                 |          | TOTAL WT.-LBS.         |             |
| FINISH—PIPER SPECIFICATION # 10                 |          |                        |             |
| MANUFACTURING PRACTICES—PIPER SPECIFICATION # 0 |          |                        |             |

HORN-RUDDER

|           |          |           |
|-----------|----------|-----------|
| R. FRANK  | L. E. K. |           |
| 7-14-43   | 7-19-43  |           |
| DRAFTSMAN | CHECKER  | STANDARDS |

**40611**

**A 291**