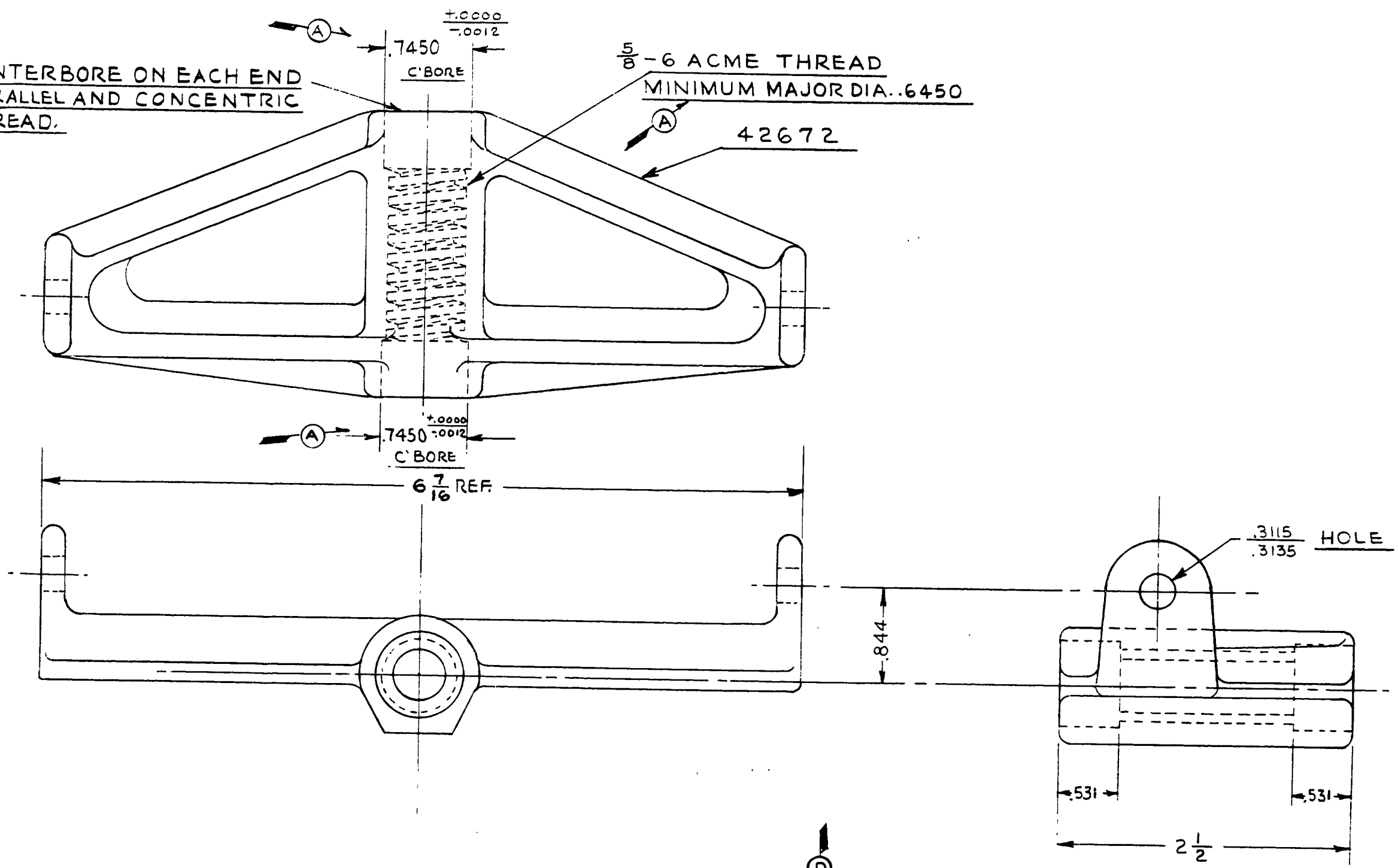


NOTE: COUNTERBORE ON EACH END TO BE PARALLEL AND CONCENTRIC WITH THREAD.



42672		1		STAB.YOKE CASTING	
PART NO.		NO. REQ.		NAME	
				MATERIAL	
SCALE FULL SIZE				TOTAL WT.-LBS.	
FINISH-PIPER SPECIFICATION # 10				MANUFACTURING PRACTICES-PIPER SPECIFICATION # 3	
YOKE-STABILIZER (FINISHED)					
R.E.T.		L.E.K.		42682	
2-8-43		2-25-43			
DRAFTSMAN		CHECKER		STANDARDS	

LET	REVISION	DATE	BY
E	REDRAWN WITHOUT CHANGE	6-21-51	J.M.M.
D	L-14 MODEL REF. ADDED	7-9-45	J.B.M.
C	J5C MODEL REF. ADDED	12-22-43	I.D.B.
B	J3 MODEL REF. ADDED	8-23-43	R.E.T.
A	DIM'S REVISED, NOTE ADDED	8-6-43	C.E.K.

MODEL	PER PLANE	NEXT ASSEMBLY	SUPERSEDES	SUP. BY
L-14	✓	42692		
J5C	✓	42692	40782	
J3/LA	✓	42682	40782	

THIS DRAWING IS THE PROPERTY OF THE PIPER AIRCRAFT CORP. AND ITS POSSESSION BY UNAUTHORIZED PERSONS SHALL NOT BE CONSTRUED AS PERMISSION TO REPRODUCE FOR SALE IN WHOLE OR IN PART ANY DEVICES SHOWN THEREON.

PIPER AIRCRAFT CORP.
LOCK HAVEN, PENNA.

A647