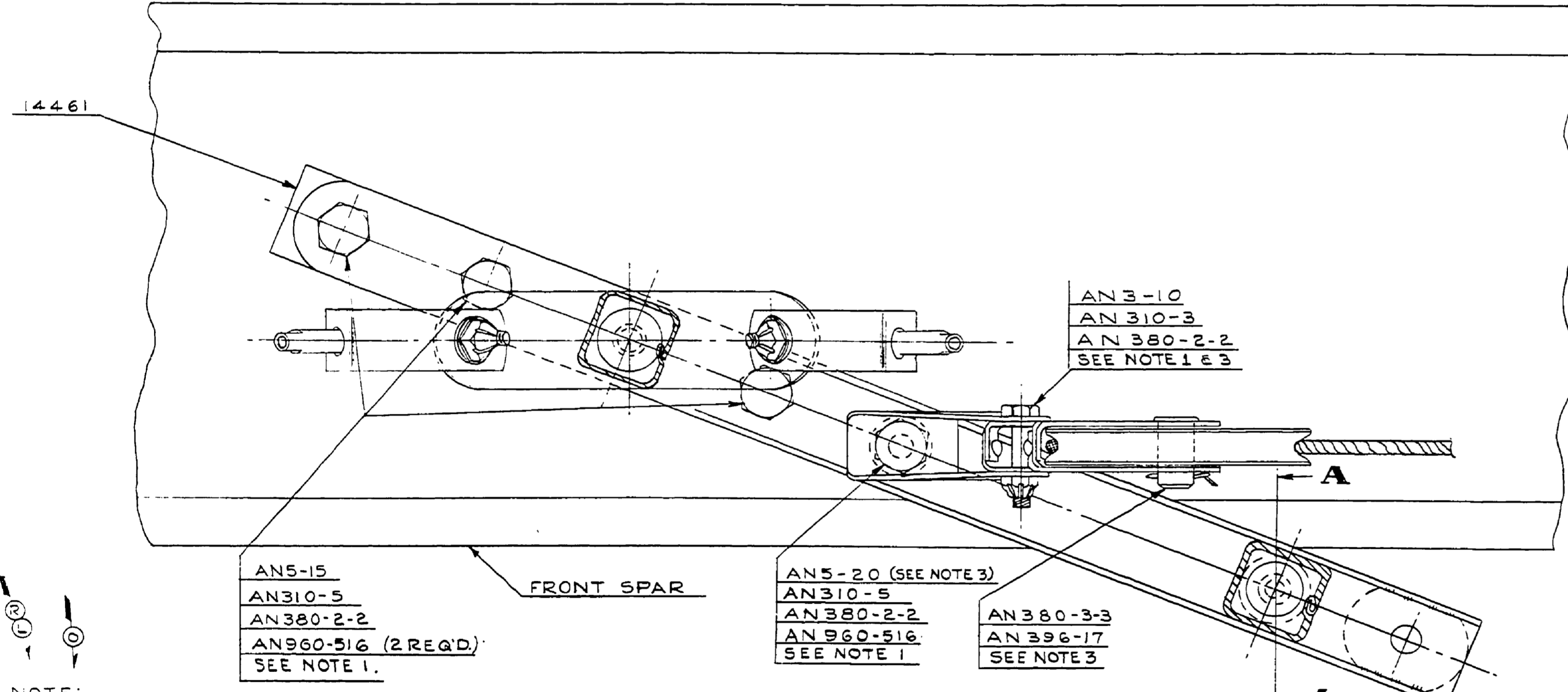


NOTE
LEFT INSTALLATION SHOWN



-3	-	SUB ASSY CONSISTS OF 41291
-2	-	14261, AN3-10, AN310-3 & AN380-2-2
AN960-516	7	WASHERS
AN396-17	1	FLAT HEAD PIN (SEE NOTE 3)
AN380-3-3	1	COTTER PIN (SEE NOTE 3)
AN380-2-2	5	COTTER PIN
AN310-5	4	NUT
AN310-3	1	NUT (SEE NOTE 3)
AN5-20	1	BOLT (SEE NOTE 3)
AN5-16	1	BOLTS
AN5-15	4	BOLTS
AN3-10	1	BOLT (SEE NOTE 3)
82732-24	1	BUSHING (SEE NOTE 3)
41291	1	PULLEY HOUSING (SEE NOTE 3)
40991	1	PULLEY (SEE NOTE 3)
15631-2	1	SPACER
14461	2	FILLER BLOCKS
14261	1	PULLEY BRACKET (SEE NOTE 3)
14192	2	STRUT FITTING ASSY
10707	1	PULL ASSY
10151	2	LOCK PLATE

NOTE:
 1 WHERE "SEE NOTE 1 IS INDICATED ELASTIC STOP NUTS (TYPE 22 M OR 42E) AND UNDRILLED BOLTS MAY BE USED.
 2 PART MARKED [L] USED ON LEFT INST. ONLY
 PART MARKED [R] USED ON RIGHT INST ONLY
 3 PARTS 14261, 40991, 41291, 82732-24, AN380-3-3, AN396-17, AN3-10, AN310-3 & AN5-20 NOT USED ON MODEL PA-15.

U	REDRAWN WITHOUT CHANGE	6-18-51	J.P.M.	THIS DRAWING IS THE PROPERTY OF THE PIPER AIRCRAFT CORP. AND ITS POSSESSION BY UNAUTHORIZED PERSONS SHALL NOT BE CONSIDERED AS PERMISSION TO REPRODUCE FOR SALE, IN WHOLE OR IN PART, ANY DEVICES SHOWN THEREON.			
T	AN5-16 WAS AN5-17 AND AN5-16	6-23-48	R.M.				
S	NOTE 3 ADDED	11-10-47	R.C.				
R	NOTE 1 REVISED	1-24-47	I.P.				
Q	10707 VIEW REVISED	11-1-46	D.B.				
P	BOLTS REVERSED	9-13-44	D.B.				
O	NOTE 2 ADDED	6-24-44	B.C.				
N	-2-3 SUB ASSY. ADD	6-24-44	B.C.	1-2A	2	15656	
M	10161-5 REM. & 10707 ADD	6-24-44	B.C.	1-2A	2	15656	
L	NOTE 3 ADDED	6-18-44	C.E.K.				
K	10161-5 WAS 11801-7	7-23-44	D.B.	MODEL	PER PLANE	NEXT ASSEMBLY	SUPERSEDES
J	REDRAWN & REVISED	8-23-43	J.C.				
LT	REVISION	DATE	BY	PIPER AIRCRAFT CORP. LOCK HAVEN, PENNA.			

PART NO.		NAME	
SCALE FULL SIZE		TOTAL WT.-LBS.	
FINISH-PIPER SPECIFICATION #10			
MANUFACTURING PRACTICES-PIPER SPECIFICATION #9			
FITTINGS INST. - FRONT SPAR LIFT STRUT			
G. ROWLEY	C. K.	14433	
B-23-43	8-23-43		
DRAFTSMAN	CHECKER		

A790